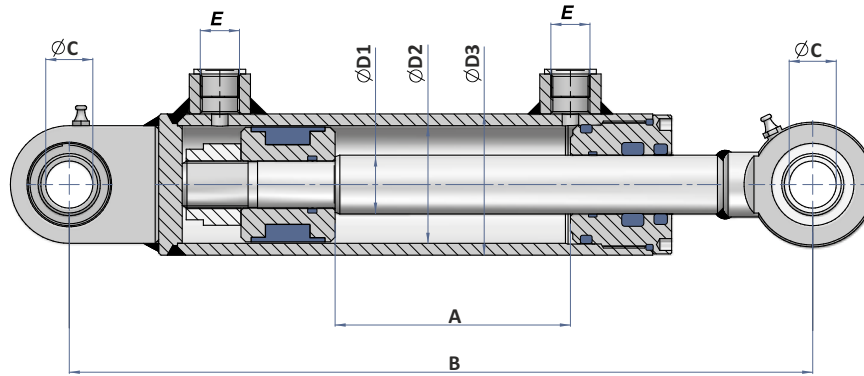
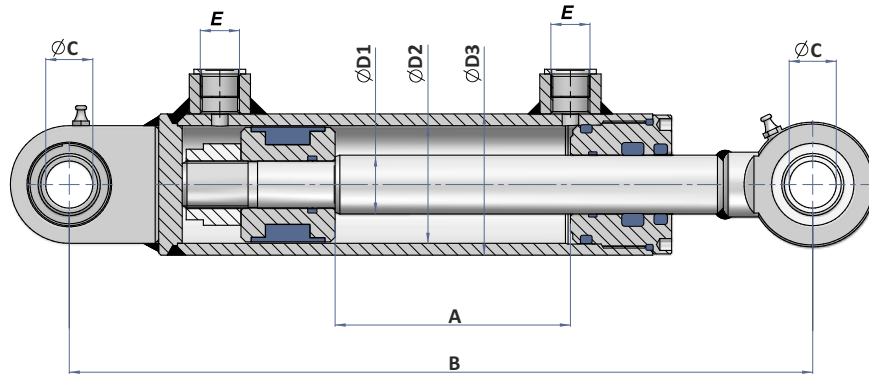


DOUBLE / SINGLE ACTING HYDRAULIC CYLINDERS

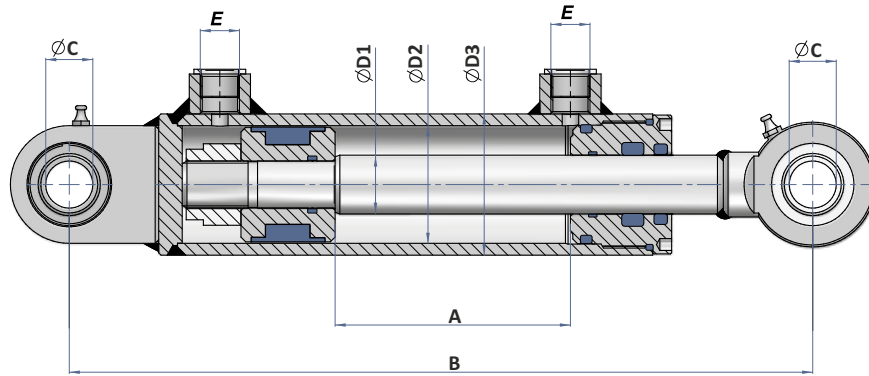
| Item No | A | B | Ø D1 | Ø D2 | Ø D3 | Ø C | E |
|-----------|-----|-----|----------------------------|------|------|----------------|--------------|
| HCA032050 | 50 | 198 | 16 20 22 | 32 | 40 | 16 20 | 1/2" |
| HCA032100 | 100 | 248 | | | | | |
| HCA032150 | 150 | 298 | | | | | |
| HCA032200 | 200 | 348 | | | | | |
| HCA032250 | 250 | 398 | | | | | |
| HCA032300 | 300 | 448 | | | | | |
| HCA032350 | 350 | 498 | | | | | |
| HCA032400 | 400 | 548 | | | | | |
| HCA032450 | 450 | 598 | | | | | |
| HCA032500 | 500 | 648 | | | | | |
| HCA032550 | 550 | 698 | | | | | |
| HCA040050 | 50 | 211 | 16 20 22 25 28 | 40 | 50 | 16 20 25 | 1/2" 1/4" |
| HCA040100 | 100 | 261 | | | | | |
| HCA040150 | 150 | 311 | | | | | |
| HCA040200 | 200 | 361 | | | | | |
| HCA040250 | 250 | 411 | | | | | |
| HCA040300 | 300 | 461 | | | | | |
| HCA040350 | 350 | 511 | | | | | |
| HCA040400 | 400 | 561 | | | | | |
| HCA040450 | 450 | 611 | | | | | |
| HCA040500 | 500 | 661 | | | | | |
| HCA040550 | 550 | 711 | | | | | |



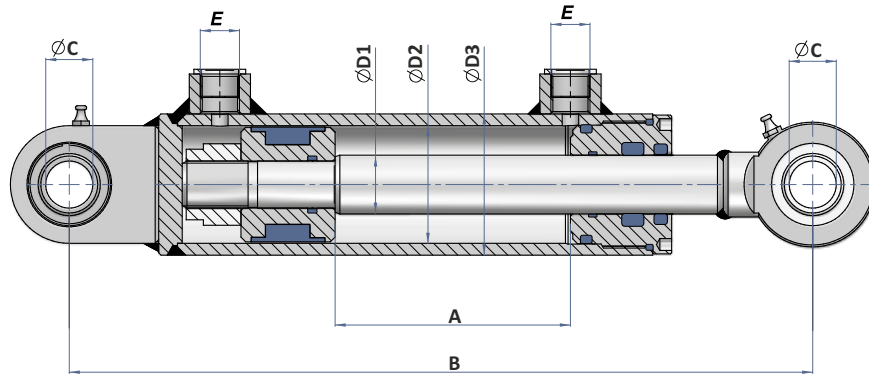
| Item № | A | B | Ø D1 | Ø D2 | Ø D3 | Ø C | E |
|-----------|-----|-----|------|------|------|-----|------|
| HCA045050 | 50 | 216 | | | | | |
| HCA045100 | 100 | 266 | | | | | |
| HCA045150 | 150 | 316 | | | | | |
| HCA045200 | 200 | 366 | 20 | | | 16 | |
| HCA045250 | 250 | 416 | 25 | | | 20 | 1/2" |
| HCA045300 | 300 | 466 | 28 | 45 | 55 | 25 | 1/4" |
| HCA045350 | 350 | 516 | 30 | | | 30 | |
| HCA045400 | 400 | 566 | | | | | |
| HCA045450 | 450 | 616 | | | | | |
| HCA045500 | 500 | 666 | | | | | |
| HCA045550 | 550 | 716 | | | | | |
| HCA050050 | 50 | 220 | 20 | | | | |
| HCA050100 | 100 | 270 | 22 | | | | |
| HCA050150 | 150 | 320 | 25 | | | 20 | |
| HCA050200 | 200 | 370 | 28 | | | 25 | 1/2" |
| HCA050250 | 250 | 420 | 30 | 50 | 60 | 30 | 1/4" |
| HCA050300 | 300 | 470 | 32 | | | 35 | |
| HCA050350 | 350 | 520 | 35 | | | | |
| HCA050400 | 400 | 570 | 36 | | | | |
| HCA050450 | 450 | 620 | | | | | |
| HCA050500 | 500 | 670 | | | | | |
| HCA050550 | 550 | 720 | | | | | |



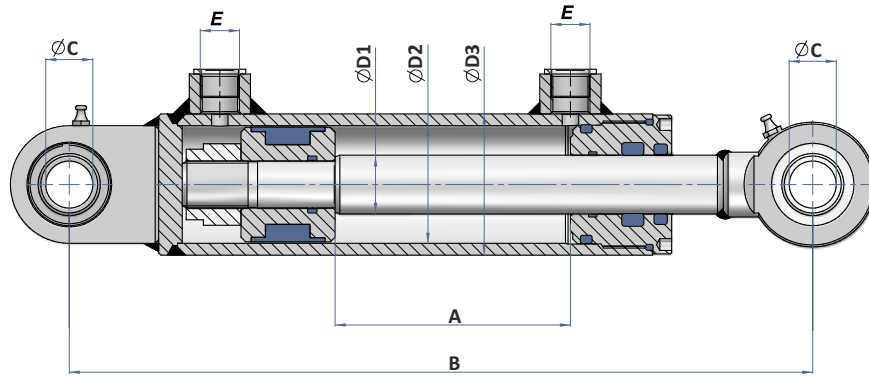
| Item № | A | B | Ø D1 | Ø D2 | Ø D3 | Ø C | E |
|-----------|-----|-----|------|------|------|-----|------|
| HCA055050 | 50 | 223 | 25 | 50 | 65 | 20 | 1/2" |
| HCA055100 | 100 | 273 | | | | | |
| HCA055150 | 150 | 323 | | | | | |
| HCA055200 | 200 | 373 | | | | | |
| HCA055250 | 250 | 423 | | | | | |
| HCA055300 | 300 | 473 | | | | | |
| HCA055350 | 350 | 523 | | | | | |
| HCA055400 | 400 | 573 | | | | | |
| HCA055450 | 450 | 623 | | | | | |
| HCA055500 | 500 | 673 | | | | | |
| HCA055550 | 550 | 723 | 32 | 60 | 70 | 30 | 3/8" |
| HCA060050 | 50 | 225 | | | | | |
| HCA060100 | 100 | 275 | | | | | |
| HCA060150 | 150 | 325 | | | | | |
| HCA060200 | 200 | 375 | | | | | |
| HCA060250 | 250 | 425 | | | | | |
| HCA060300 | 300 | 475 | | | | | |
| HCA060350 | 350 | 525 | | | | | |
| HCA060400 | 400 | 575 | | | | | |
| HCA060450 | 450 | 625 | | | | | |
| HCA060500 | 500 | 675 | 45 | | | 35 | 3/8" |
| HCA060550 | 550 | 725 | | | | | |



| Item № | A | B | Ø D1 | Ø D2 | Ø D3 | Ø C | E |
|-----------|-----|-----|------|------|------|-----|------|
| HCA060050 | 50 | 223 | 25 | 60 | 70 | 25 | 1/2" |
| HCA060100 | 100 | 273 | | | | | |
| HCA060150 | 150 | 323 | | | | | |
| HCA060200 | 200 | 373 | | | | | |
| HCA060250 | 250 | 423 | | | | | |
| HCA060300 | 300 | 473 | | | | | |
| HCA060350 | 350 | 523 | | | | | |
| HCA060400 | 400 | 573 | | | | | |
| HCA060450 | 450 | 623 | | | | | |
| HCA060500 | 500 | 673 | | | | | |
| HCA060550 | 550 | 723 | 45 | 63 | 75 | 30 | 1/2" |
| HCA063050 | 50 | 237 | | | | | |
| HCA063100 | 100 | 287 | | | | | |
| HCA063150 | 150 | 337 | | | | | |
| HCA063200 | 200 | 387 | | | | | |
| HCA063250 | 250 | 437 | | | | | |
| HCA063300 | 300 | 487 | | | | | |
| HCA063350 | 350 | 537 | | | | | |
| HCA063400 | 400 | 587 | | | | | |
| HCA063450 | 450 | 637 | | | | | |
| HCA063500 | 500 | 687 | 50 | | | 35 | 3/8" |
| HCA063550 | 550 | 737 | | | | | |



| Item № | A | B | Ø D1 | Ø D2 | Ø D3 | Ø C | E |
|-----------|-----|-----|------|------|------|-----|------|
| HCA065050 | 50 | 237 | | | | | |
| HCA065100 | 100 | 287 | | | | | |
| HCA065150 | 150 | 337 | 30 | | | | |
| HCA065200 | 200 | 387 | 35 | | | 25 | |
| HCA065250 | 250 | 437 | 36 | | | 30 | 1/2" |
| HCA065300 | 300 | 487 | 40 | 65 | 75 | 35 | 1/4" |
| HCA065350 | 350 | 537 | 45 | | | 40 | 3/8" |
| HCA065400 | 400 | 587 | 50 | | | | |
| HCA065450 | 450 | 637 | | | | | |
| HCA065500 | 500 | 687 | | | | | |
| HCA065550 | 550 | 737 | | | | | |
| HCA066050 | 50 | 248 | | | | | |
| HCA066100 | 100 | 298 | | | | | |
| HCA066150 | 150 | 348 | | | | | |
| HCA066200 | 200 | 398 | 30 | | | 25 | |
| HCA066250 | 250 | 448 | 35 | | | 30 | 1/2" |
| HCA066300 | 300 | 498 | 40 | 65 | 80 | 35 | 1/4" |
| HCA066350 | 350 | 548 | 45 | | | 40 | 3/8" |
| HCA066400 | 400 | 598 | | | | | |
| HCA066450 | 450 | 648 | | | | | |
| HCA066500 | 500 | 698 | | | | | |
| HCA066550 | 550 | 748 | | | | | |



| Item № | A | B | Ø D1 | Ø D2 | Ø D3 | Ø C | E |
|-----------|-----|-----|------|------|------|-----|------|
| HCA070050 | 50 | 248 | | | | | |
| HCA070100 | 100 | 298 | | | | | |
| HCA070150 | 150 | 348 | | | | | |
| HCA070200 | 200 | 398 | 30 | | | 25 | |
| HCA070250 | 250 | 448 | 35 | | | 30 | 1/2" |
| HCA070300 | 300 | 498 | 40 | 70 | 80 | 35 | 1/4" |
| HCA070350 | 350 | 548 | 45 | | | 40 | 3/8" |
| HCA070400 | 400 | 598 | | | | | |
| HCA070450 | 450 | 648 | | | | | |
| HCA070500 | 500 | 698 | | | | | |
| HCA070550 | 550 | 748 | | | | | |
| HCA071050 | 50 | 248 | | | | | |
| HCA071100 | 100 | 298 | 25 | | | | |
| HCA071150 | 150 | 348 | 30 | | | 25 | |
| HCA071200 | 200 | 398 | 35 | | | 30 | 1/2" |
| HCA071250 | 250 | 448 | 40 | 70 | 85 | 35 | 1/4" |
| HCA071300 | 300 | 498 | 45 | | | 40 | 3/8" |
| HCA071350 | 350 | 548 | 50 | | | 45 | |
| HCA071400 | 400 | 598 | 55 | | | | |
| HCA071450 | 450 | 648 | | | | | |
| HCA071500 | 500 | 698 | | | | | |
| HCA071550 | 550 | 748 | | | | | |